


KUKA | Xpert

Identification number: AR5937

| | |
|------|---|
| 货号 | 0000-170-847 |
| 材料状态 | 10 - 批准预生产 |
| 制造商 | KUKA Roboter |
| 产品图片 |  |

Maintenance information

Gear oil

⚠ CAUTION The quantity of oil drained depends on the draining time and the oil temperature. The refilling quantity is the quantity of oil that was drained from the gear unit at the correct operating temperature and with the correct draining time. This oil quantity must be determined. Only this quantity of oil may be used when refilling.

If less than 70 % of the specified oil quantity flows out, flush the gear unit with the determined quantity of drained oil once, then pour in the amount of oil that was drained. If less than 50% of the specified oil quantity flows out (e.g. inclined installation), the flushing operation must be repeated twice. During the flushing procedure, move the axis at jog velocity throughout the entire axis range.

The oil quantities specified in the table correspond to the oil quantities in the gear unit at first filling.

| Gear oil new filling quantity | |
|-------------------------------|---------|
| A1 | 13.00 l |
| A2 | 11.00 l |
| A3 | 8.20 l |
| A4 | - |
| A5 | - |
| A6 | 1.70 l |
| Gear oil refilling quantity | |
| A1 | 11.25 l |
| A2 | 10.30 l |
| A3 | 7.30 l |
| A4 | - |
| A5 | - |
| A6 | 1.45 l |

Counterbalancing system

| | |
|------------------------|---------|
| Gas pressure p0 | 115 bar |
| Oil pressure p1 | 115 bar |

技术数据

基本数据

| | KR 700 PA |
|-----------------------|--|
| 轴数 | 4 |
| 可控制的轴数 | 4 |
| 工作空间体积 | 73 m ³ |
| 位姿重复精度 (ISO 9283) | ± 0.08 mm |
| 重量 | 约 2850 kg |
| 额定负荷 | 700 kg |
| 最大负载能力 | - |
| 最大运动范围 | 3320 mm |
| 防护等级 (IEC 60529) | IP65 |
| 机器人腕部防护等级 (IEC 60529) | IP65 |
| 噪声等级 | < 72 dB (A) |
| 安装位置 | 地面 |
| 占地面积 | - |
| 运动系统安装面布孔图 | S960 |
| 允许倾角 | - |
| 标准色 | 底座： 黑色 (RAL 9005); 活动部件： 库卡橙色 2567; 第 3 轴： 黑色 (RAL 9005) |
| 控制系统 | KR C4; KR C2 edition2005 |
| 变压器名称 | - |

环境条件

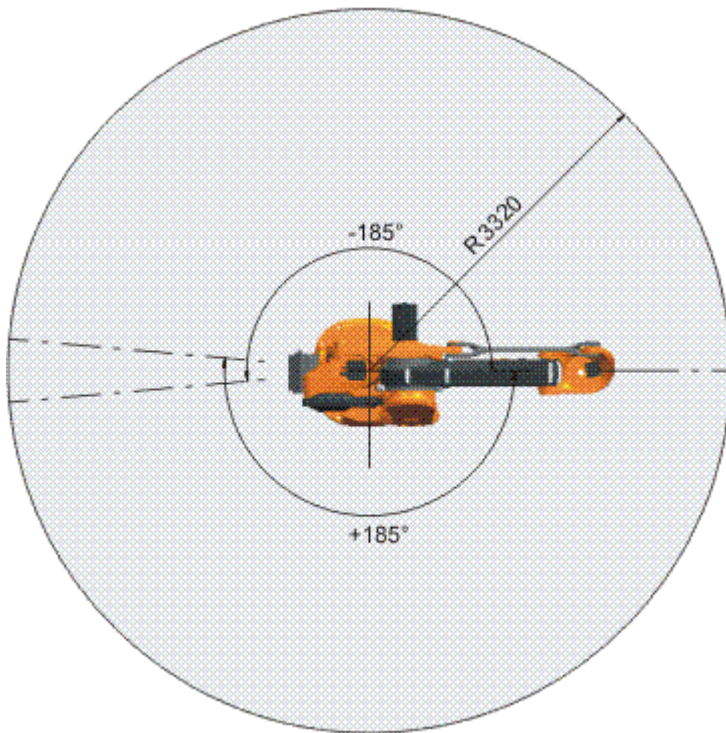
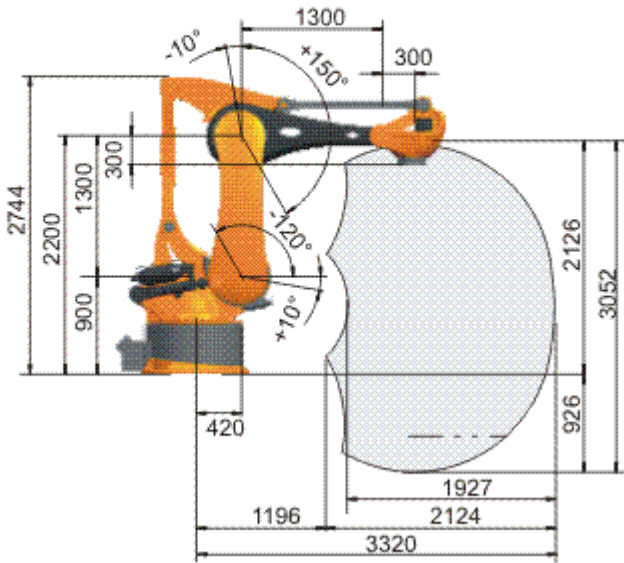
| | |
|-----------------------|--------------------------------|
| 湿度等级 (EN 60204) | - |
| 环境条件分类 (EN 60721-3-3) | 3K3 |
| 环境温度 | |
| 运行时 | 0 °C 至 55 °C (273 K 至 328 K) |
| 仓储和运输时 | -40 °C 至 60 °C (233 K 至 333 K) |

轴数据

| | |
|----------|---------------|
| 运动范围 | |
| A1 | ±185 ° |
| A2 | -120 ° / 10 ° |
| A3 | -10 ° / 150 ° |
| A4 | - |
| A5 | - |
| A6 | ±350 ° |
| 额定负载时的速度 | |
| A1 | 76 °/s |
| A2 | 76 °/s |
| A3 | 67 °/s |
| A4 | - |
| A5 | - |
| A6 | 168 °/s |

工作区域

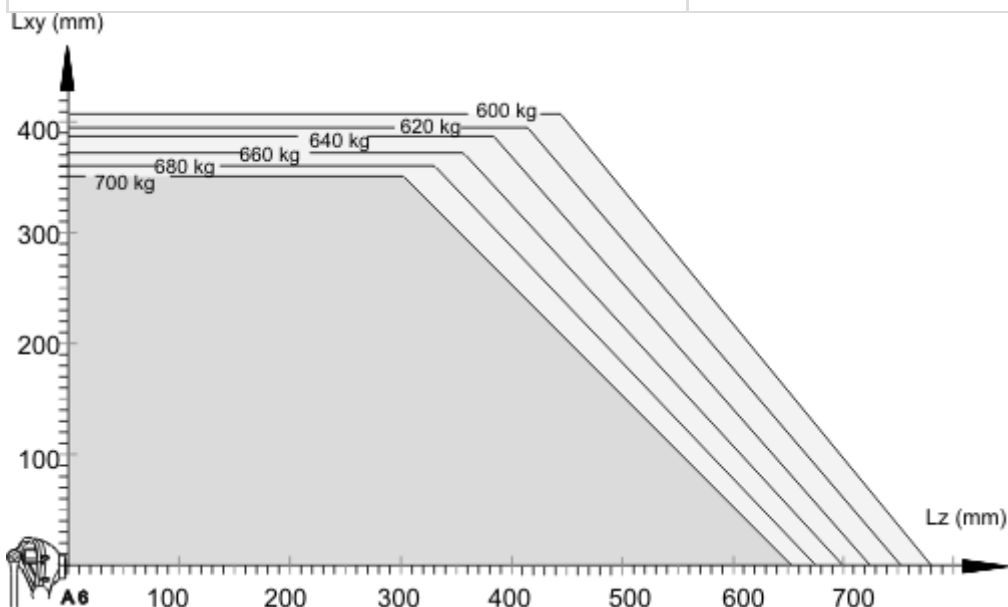
dimensions: mm



KR 700 PA 和变型

负载能力

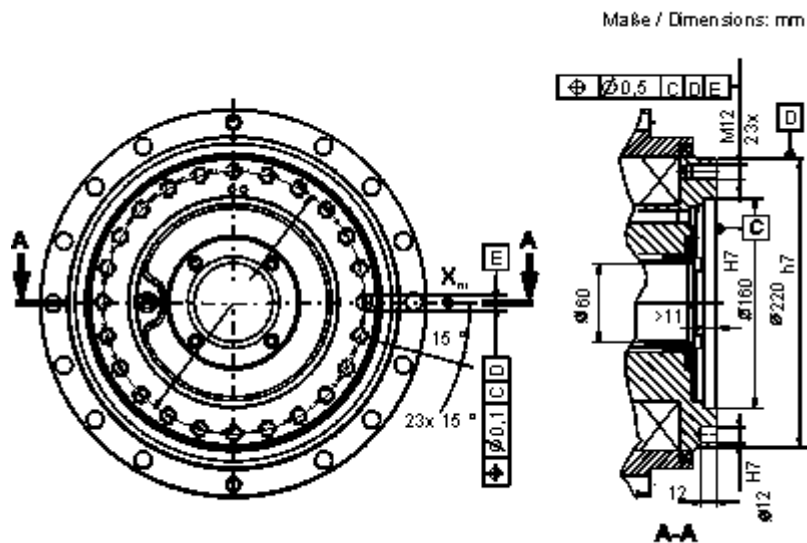
| | |
|-----------------------|----------------------|
| 额定负荷 | 700 kg |
| 最大负载能力 | - |
| 法兰 Ix 额定质量转动惯量 | 350 kgm ² |
| 法兰 Iy 额定质量转动惯量 | 350 kgm ² |
| 法兰 Iz 额定质量转动惯量 | 350 kgm ² |
| 底座的额定附加负载 | 0 kg |
| 底座的最大附加负载 | - |
| 转盘的额定附加负载 | 0 kg |
| 旋转机构的最大附加负载 | 0 kg |
| 大臂的额定附加负载 | 0 kg |
| 大臂的最大附加负载 | 0 kg |
| 小臂的额定附加负载 | 50 kg |
| 小臂的最大附加负载 | 80 kg |
| 负载重心额定距离 | |
| Lxy | 350 mm |
| Lz | 300 mm |



KR 700 PA 和变型

连接法兰

| | |
|---------|---------|
| 机器人腕部类型 | Hand NA |
| 连接法兰 | 见图纸 |



连接法兰

地基负载

| | |
|--------------------|-----------|
| 纵向动力 F(v) | |
| F(v 正常) | - |
| F(vmax) | 63000 N |
| 横向动力 F(h) | |
| F(h 正常) | - |
| F(hmax) | 17500 N |
| 倾覆力矩 M(k) | |
| M(k 正常) | - |
| M(kmax) | 109000 Nm |
| 轴 2 转矩 M(r) | |
| M(r 正常) | - |
| M(rmax) | 43000 Nm |

垂直力 $F(v)$ 、水平力 $F(h)$ 、倾斜力矩 $M(k)$ 、轴 1 的转矩 $M(r)$

Dangerous goods information

The following parts of the product must be considered dangerous goods with regard to their transportation in public spaces:

For sea or air freight, the following UN number shall apply:

UN 3164 Articles, pressurized, hydraulic (with non-flammable, non-toxic gases)

| | |
|-----------------------------|--|
| UN number | UN 3164 |
| Proper shipping name | Articles, pressurized, hydraulic (with non-flammable, non-toxic gases) |
| Class | 2.2 |
| Explanation of class | Non-flammable, non-toxic gases |
| Example | Filled hydropneumatic CBSs |
| Hazard | <ul style="list-style-type: none">• Bursting of the pressure vessels (100 - 160 bar)• Splintering not possible• Freezing due to sudden escape of gas |
| Measures | <ul style="list-style-type: none">• Do not loiter in low-lying areas• If possible, drain oil and depressurize CBS |

关税信息

| | |
|------|--------------|
| 统计货号 | 84795000 |
| 原产地 | DE |
| 制造商 | KUKA ROBOTER |
| 重量 | 2850 kg |

-
- > **KR 700 PA** 带有如下的标准组件 (3)
 - > **KR 700 PA** 需要 (22)
 - > **KR 700 PA** 带有如下的工具 (1)
 - > **KR 700 PA** 有以下选项 (31)